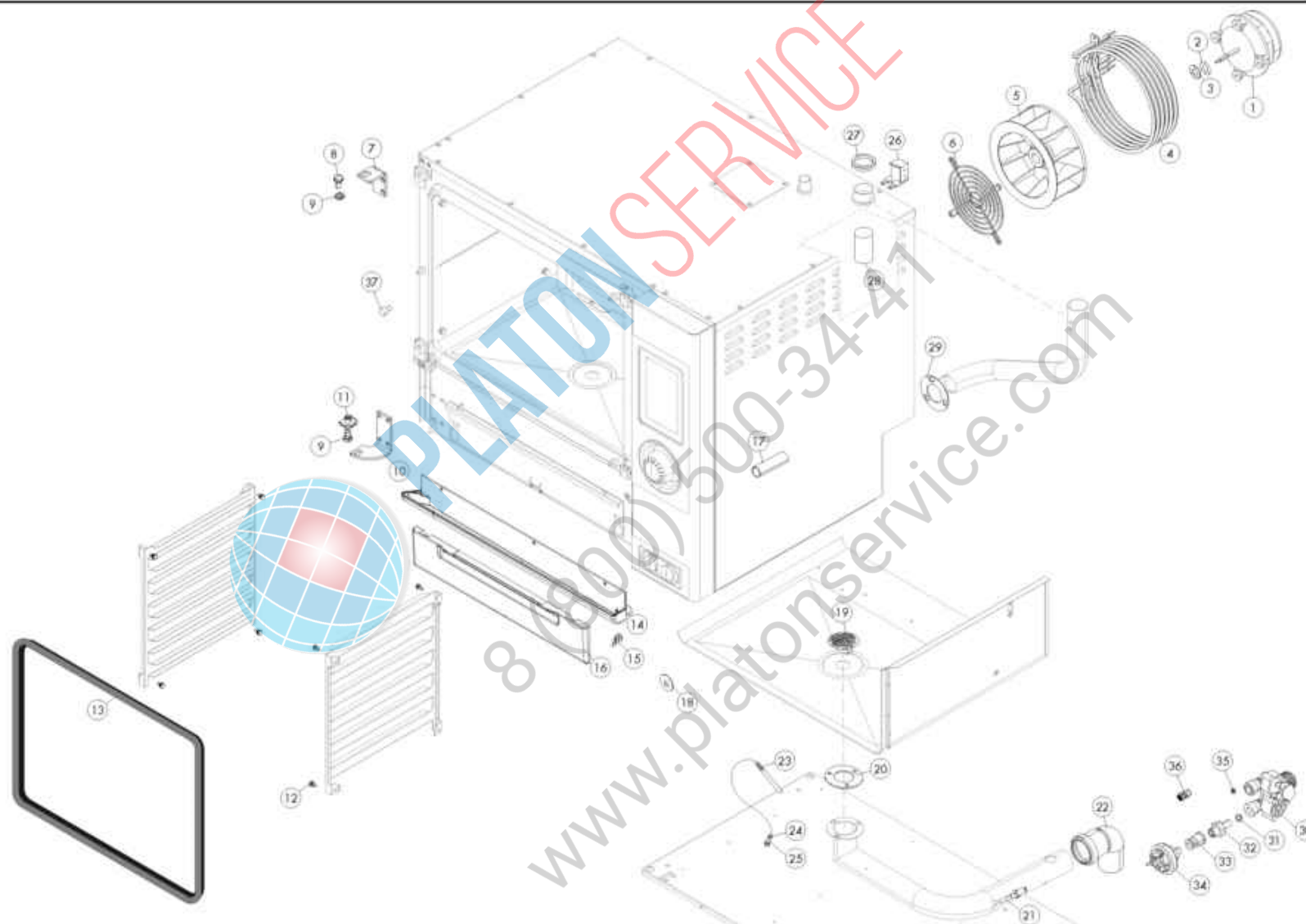


ATTENZIONE: PER TENSIONI SPECIALI, SPECIFICARE SEMPRE IL MODELLO DI FORNO ED IL NUMERO DI MATRICOLA
ATTENTION: FOR SPECIAL VOLTAGES, PLEASE ALWAYS SPECIFY THE OVEN MODEL AND THE SERIAL NUMBER

ATTENTION: POUR TENSIONS SPÉCIALES, MERCI DE SPÉCIFIER TOUJOURS LE MODÈLE DU FOUR ET LE NUMÉRO DE SÉRIE
ACHTUNG: BEI SONDRERSPANNUNGEN, BITTE IMMER OFEN-MODELL UND SERIENNUMMER GEBEN

ed. 0316

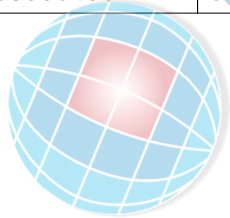


TAV. A

CVEN061

Pos.	Code	Codice precedente	Description	Notes	From:	To:
0001	LA65210100		FUSE CARRIER [C] 2X38	UL Version (USA-CAN)		
0001	LAR65041020		MOTOR [C] 230V 130W UL 1F 2V	UL Version (USA-CAN)		
0001	LAR65041040		MOTOR [C] 1F.125Win-75Wout 2 VEL			
0001	LAR65200400		FUSIBILE X MOT. KTK-R-6 600V 6A CL. CC	UL Version (USA-CAN)		
0002	LAR58005500		SEAT [C]			
0003	LA70020020	LAR70020020	GASKET [C] 8X22			
0004	LA65011960	LAR65011960	HEATING ELEMENT [C] 8000W 230V			
0004	LA65011982		HEATING ELEMENT [C] 8000W 208V	UL Version 208V (USA-CAN)		
0004	LA65011990		RESISTENZA 8000W277V D8.5 INC.CAM.K_061	UL Version 277V (USA-CAN 3AC 480V)		
0004	LAR65011980		RESISTENZA 8000W208V D8.5 INC.CAM.K_061	UL Version 208V (USA-CAN)		
0004	LAR65011990		RESISTENZA 8000W277V D8.5 INC.CAM.K_061	UL Version 277V (USA-CAN 3AC 480V)		
0005	LA75400410	LAR75400410	FAN [C] D. 180X77 50HZ	50Hz		
0005	LA75400430	LAR75400430	FAN [C] D. 180X77 60HZ	60Hz		
0007	LA14402130	LAR14402130	HINGE [C]			
0008	LA58000370	LAR58000370	PIVOT HINGE			
0009	LA58004050	LAR58004050	NUT [C] FOR HINGE PIN M/106-220			
0010	LA11207240	LAR11207240	LOWER HINGE KIT [C] M-V/061-101-102 2005			
0011	LA58002670	LAR58002670	PIN [C] HINGE SR.2005			
0012	LA58001850	LAR58001850	PIN [C]			
0013	LA70044340	LAR70044340	GASKET [C] DOOR A V-C 05			
0014	LAR69180410		DRAIN CONTAINER [C] C_061			
0015	LA69180250	LAR69180250	FILTER [C] BASIN DRAINAGE			
0016	LAR69180340		DOOR [C]			
0017	LAR70060080		COUPLING [C] D. 13X18X80			
0018	LA70010210	LAR70010210	GASKET [C] 18,72X2,62			
0019	LA10201700	LAR10201700	FILTER [C] D.76/44.5 M/106-11			
0020	LA70030170	LAR70010140	GASKET [C] 76X40,3X3			
0021	LA58006160	LAR58006160	NOZZLE [C] D. 0,80			
0022	LA62280028	LAR62280028	CURVE [C] D.40 D.40X			

Pos.	Code	Codice precedente	Description	Notes	From:	To:
0023	LAR65320220		PROBE [C] K 6X80 1,5ML			
0024	LA62070023	LAR62070023	BICONE [C] D. 6			
0025	LA62060223	LAR62060223	NUT [C] D. 6			
0026	LA65090300	LAR65090300	ACTUATOR [C]			
0027	LA70050130	LAR70050130	GASKET [C] D.50			
0028	LAR70060090		COUPLING [C] D. 24X30X40			
0029	LA70010150	LAR70010150	GASKET [C] 55X35X3			
0030	LAR65110340		SOLENOID VALVE [C] 230V 50/60HZ 2 WAYS 1P+1D OUT J.G. D10			
0031	LAR70010050		GASKET [C] 7,60X2,62			
0032	LA62090518	LAR62090518	CONNECTOR [C] 10X1/4			
0033	LA62030113	LAR62030113	COUPLING [C] FF 1/8-1/4 BRASS			
0034	LAR63070050		PRESSURE SWITCH [C] 1/8 0,5-0,35 BAR			
0035	LA65110500	LAR65110500	REGULATOR [C]			
0036	LAR65240010		FAIRLEAD [C] PG 107 Z/1			
0036	SIR0101302		PRESSACAVO	UL Version (USA-CAN)		
0037	LA58006400	LAR58006400	SCREW [C] F.2/3			

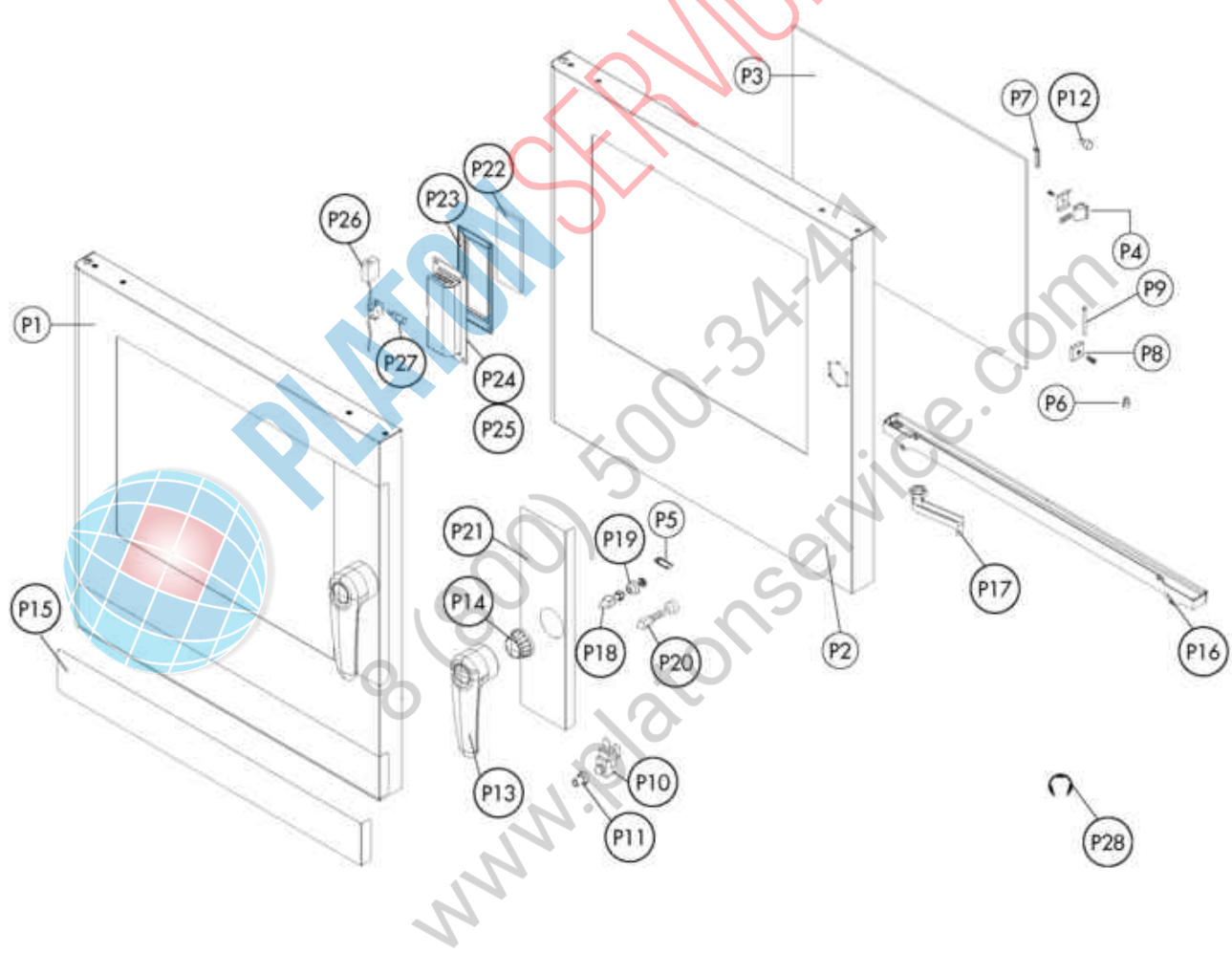


8 (800) 500-34-41
www.platonservice.com

ATTENZIONE: PER TENSIONI SPECIALI, SPECIFICARE SEMPRE IL MODELLO DI FORNO ED IL NUMERO DI MATRICOLA.
ATTENTION: FOR SPECIAL VOLTAGES, PLEASE ALWAYS SPECIFY THE OVEN MODEL AND THE SERIAL NUMBER.

ATTENTION: POUR TENSIONS SPÉCIALES, MERCI DE SPÉCIFIER TOUJOURS LE MODÈLE DU FOUR ET LE NUMÉRO DE SÉRIE.
ACHTUNG: BEI SONDRERSPANNUNGEN, BITTE IMMER OFEN-MODELL UND SERIENNUMMER GEBEN.

ed. 0316



TAV. B

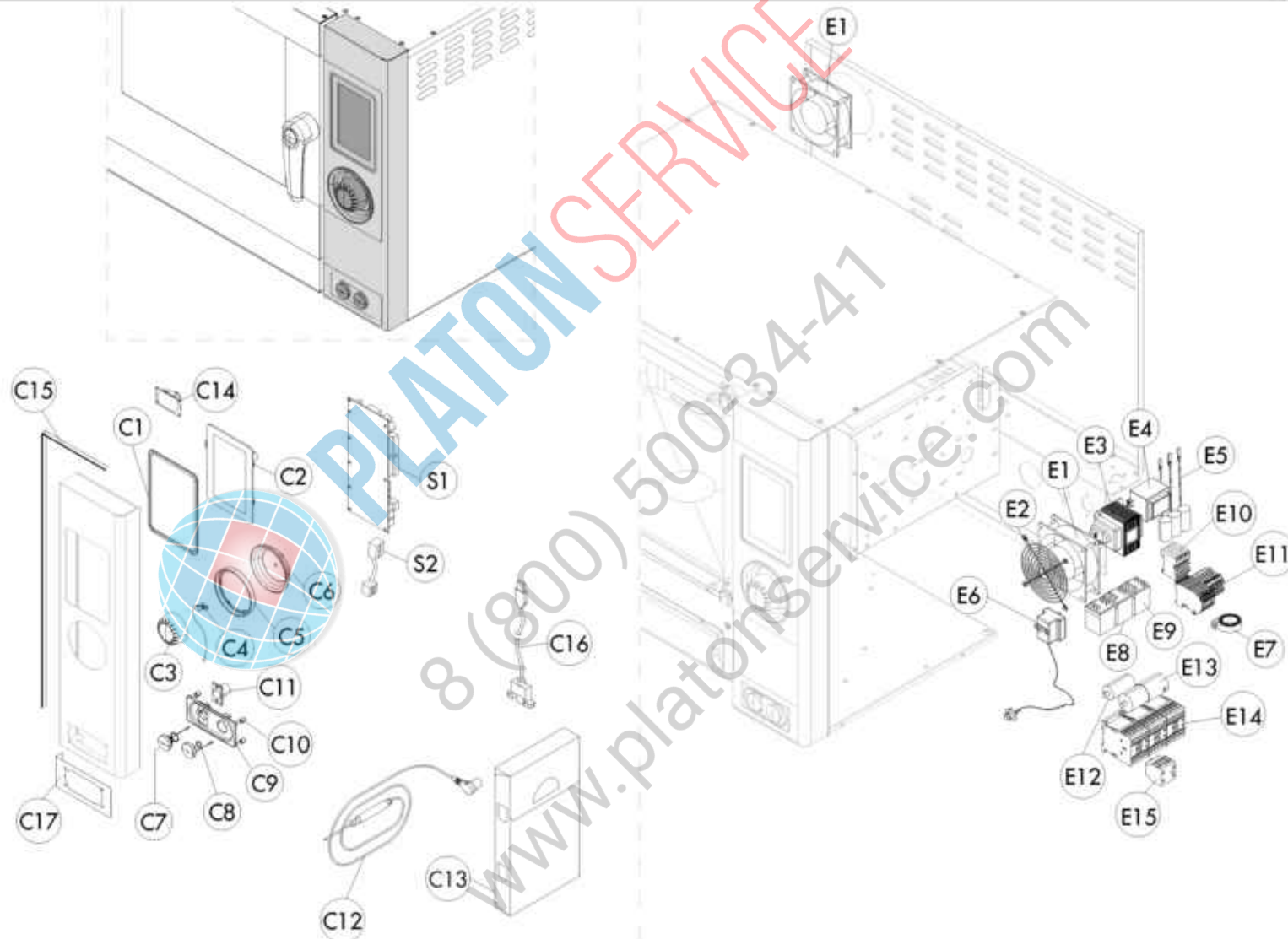
CVEN061

Pos.	Code	Codice precedente	Description	Notes	From:	To:
OOP1	LAR18108900		DOOR [C] C_N061			
OOP2	LAR18212500		PORTA ESTERNA C_N061			
OOP3	LAR71200930		GLASS PLATE [C] 618x480x6 C_061			
OOP4	LAR58001780		CATCH [C] DOOR P2000			
OOP5	LA61620132	LAR61620132	SPRING [C]			
OOP8	LA58001760	LAR58001760	HINGE [C] GLASS SR2000			
OOP9	LA58001770	LAR58001770	PIN [C]			
OP10	LAR65260540		MICROSWITCH [C]			
OP11	LA58001860	LAR58001860	PIN [C]			
OP12	LAR70050180		SPACER [C] GLASS 15x8 M4x12 A2			
OP13	LA69010190	LAR69010190	LOCK [C] 6303 N/S2014			
OP14	LAR69010630		COVERING [C] GROUP 6303			
OP15	LAR67018140		RIVEST.PORTA COMPACT NABOO C_N061 LX			
OP16	LA69180400	LAR69180400	DOOR CONTAINER [C] C_061			
OP17	LA69180010	LAR69180010	DRAIN [C]			
OP18	LA69010260	LAR69010260	PRONG [C]			
OP18	LAR69010270		PRONG [C]			
OP19	LA70050160	LAR70050160	GASKET [C]			
OP21	LAR67018120		RIVESTIMENTO PORTA C_061			
OP22	LA71500150	LAR71500150	GLASS PLATE [C] P2000			
OP23	LA70044200	LAR70044200	GASKET [C]			
OP24	LA65270450	LAR65270450	LAMP HOLDER [C]			
OP25	LA65270020	LAR65270020	BULB [C] 12V 20W G4			
OP26	LA66110310	LAR66110310	DOOR LIGHTS CABLE SET [C] M-V/061			
OP27	LAR65260752		CONTACT [C] LIGHTS SR.2014			
OP28	LA61600031	LAR61600031	GASKET [C] D.3,2 UNI 7434			

ATTENZIONE: PER TENSIONI SPECIALI, SPECIFICARE SEMPRE IL MODELLO DI FORNO ED IL NUMERO DI MATRICOLA.
ATTENTION: FOR SPECIAL VOLTAGES, PLEASE ALWAYS SPECIFY THE OVEN MODEL AND THE SERIAL NUMBER.

ATTENTION: POUR TENSIONS SPÉCIALES, MERCI DE SPÉCIFIER TOUJOURS LE MODÈLE DU FOUR ET LE NUMÉRO DE SÉRIE.
ACHTUNG: BEI SONDRERSPANNUNGEN, BITTE IMMER OFEN-MODELL UND SERIENNUMMER GEBEN.

ed. 0316



TAV. C

CVEN061

Pos.	Code	Codice precedente	Description	Notes	From:	To:
00C1	LAR70040040		GASKET [C] CONTROL PANEL T 2015			
00C2	LA65302741		SCHEDA DISPLAY NABOO7+FR.VER.COMP.SOM E			
00C3	LA69030240	LAR69030240	KNOB [C] ENCODER D.70 BLACK			
00C4	LA65302500	LAR65302500	ENCODER [C] PUSH NABOO+CABLE L=60CM			
00C5	LA69030330	LAR69030330	COUNTER FLANGE [C] D.116 FOR ENCODER N 2014			
00C6	LA69030320	LAR69030320	RING NUT [C] D. 116			
00C7	LAR65321310		CAP [C]			
00C8	LA65321330	LAR65321330	CAP [C] N/S 2014			
00C9	LA69180350	LAR69180350	PLATE [C] USB LEO/COMPACT			
00E1	LA65060050	LAR65060050	FAN [R] D. 120			
00E2	LAR75300020		PLATE [C] FAN D.120			
00E3	LA65180430	LAR65180430	TRANSFORMER [C] 40VA			
00E3	LA65187110	LAR65187110	TRANSFORMER [C] 40VA	UL Version (USA-CAN)		
00E4	LA65180420	LAR65180420	TRANSFORMER [C] 20VA			
00E4	LA65187110	LAR65187110	TRANSFORMER [C] 40VA	UL Version (USA-CAN)		
00E5	LA65280200	LAR65280200	FILTER [C] Cx=0,47Å F Cy=2X10nF			
00E6	LA65070350	LAR65070350	THERMOSTAT [C] 360Å°C			
00E6	LA65070370	LAR65070370	THERMOSTAT [C] 360Å°C	UL Version (USA-CAN)		
00E7	LAR65280450		FERRITE [C] TRCN 28-16-20			
00E8	LA65170100	LAR65170100	RELAY [C]			
00E9	LA65170170	LAR65170170	RELAY [C]			
00S1	LA65302640	LAR65302640	POWER BOARD [C] COMPACT BY NABOO			
00S2	LA65301740	LAR65301740	CABLE [C] SERIAL WITH PLUG RJ45 L=250			
0C10	LAR69180360		BLOCCAGGIO MASCHERINA LEO/ COMPACT			
0C11	LA65321360	LAR65321360	CONNECTOR [C] L1000 FEMALE TO CORE PROBE 6 PINS			
0C12	LA65321102	LAR65321102	PROBE [C] K 4P 6 PIN IMP.2012			
0C13	LAR86020400		VALIGETTA X SONDA AL CUORE TRASPARENTE			
0C14	LA65330060	LAR65330060	LOUDSPEAKER [C] CONTROL PANEL NA 2014			

Pos.	Code	Codice precedente	Description	Notes	From:	To:
OC15	LAR80100100		PROFILE [C]			
OC16	LA65302600	LAR65302600	CABLE [C] CARD SWITCH CONNECTION USB 90° L=850			
OE10	LA65210020	LAR65210020	FUSE CARRIER [C] 5X20			
OE12	LA65190240	LAR65190240	CONDENSER [C] 10µF C/OUT 4 FASTON 6,35			
OE12	LA65190370		CONDENSER [C] 10µF C/OUT 4 FASTON 6,35 UL	UL Version (USA-CAN)		
OE13	LA65190080	LAR65190080	CONDENSER [C] 5µF V425-B			
OE13	LA65197010		CONDENS.16MF V330-B UL CSA	UL Version (USA-CAN)		
OE14	LA65140700	LAR65140700	SWITCH [C] M9-01 4KW-20A			
OE14	LA65140710	LAR65140710	SWITCH [C] M17-01 7,5KW-35A			
OE15	LA65140730	LAR65140730	CONTACT [C] 1L+1R DILM32-XHI11 4-7,5KW			
OE15	LA65140740	LAR65140740	CONTACT [C] 1L+1R DILM32-XHI11-S 7,5KW			

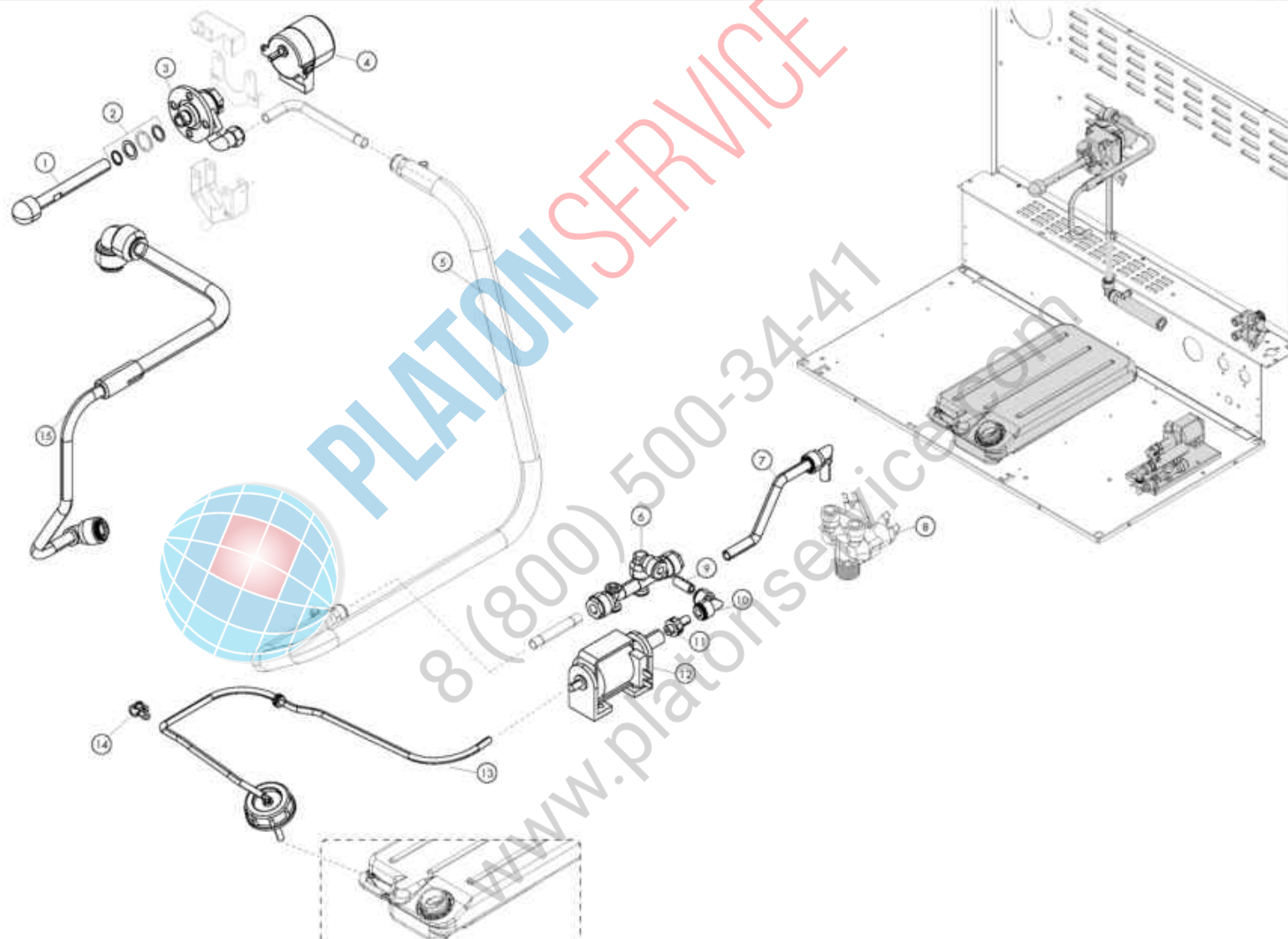


PLATON SERVICE
8 (800) 500-34-41
www.platonservice.com

ATTENZIONE: PER TENSIONI SPECIALI, SPECIFICARE SEMPRE IL MODELLO DI FORNO ED IL NUMERO DI MATRICOLA.
ATTENTION: FOR SPECIAL VOLTAGES, PLEASE ALWAYS SPECIFY THE OVEN MODEL AND THE SERIAL NUMBER.

ATTENTION: POUR TENSIONS SPÉCIALES, MERCI DE SPÉCIFIER TOUJOURS LE MODÈLE DU FOUR ET LE NUMÉRO DE SÉRIE.
ACHTUNG: BEI SONDBERSPANNUNGEN, BITTE IMMER OFEN-MODELL UND SERIENNUMMER GEBEN.

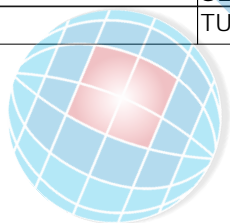
ed. 0316



TAV. D

CVEN061

Pos.	Code	Codice precedente	Description	Notes	From:	To:
0001	LAR58007050		WASHING HEAD [C] L=110 (M_051)			
0002	LAR70045120		GASKET [C]			
0003	LAR58007020		FLANGE [C]			
0004	LA65090260	LAR65090260	GEARMOTOR [C]			
0005	LAR18109000		TUBO LAV.DETER.CB/V_N/S061 COMPLETO			
0006	LA62090888	LAR62090888	MANIFOLD [C] 3WAYS-2D.10+1D.8+3 NO RETURN CONTROL			
0007	LAR18109390		TUBI LAVAGGIO C_061 COMPLETO			
0008	LAR65110330		DOUBLE SOLENOID VALVE 2 WAYS 230V 50/60HZ OUT J.G. D.10			
0009	LA80150020	LAR80150020	PIPE [C]			
0010	LA62090498	LAR62090498	CONNECTOR [C] D.8			
0011	LA62090608	LAR62090608	END SIDE PIPE [C] 8x1/8			
0012	LAR65110600		PUMP [C]			
0013	LAR14171790		PIPE [C]			
0014	LAR61630131		FASC.STRINGITUBO ZINC+GOMMA SERIE PK D.8			
0015	LAR18109400		TUBI ACQUA CVE_061 COMPLETO			



8 (800) 500-34-47
www.platonservice.com